

In-line axial fans

In-line axial fans are manufactured in two series - VO and VOK and are designed to be built in ventilation installations with the following adjusting dimensions: $\Phi 90$, $\Phi 100$, $\Phi 110$, $\Phi 120$, $\Phi 130$, $\Phi 135$, $\Phi 150$.



In-line axial fans, VO and VOK series

They are designed for continued or discontinued ventilation of small and medium-sized living premises, sanitary or commercial premises. The VO 90, VO 100, VO 120, VO 135 and VO 150 modifications have equal sections; and VOK 120, VOK 135 and VOK 150 have varying sections /scheme 1/.

Seven types of adjusting to air conduits are possible - $\Phi 90$, $\Phi 100$, $\Phi 110$, $\Phi 120$, $\Phi 130$, $\Phi 135$, and $\Phi 150$.

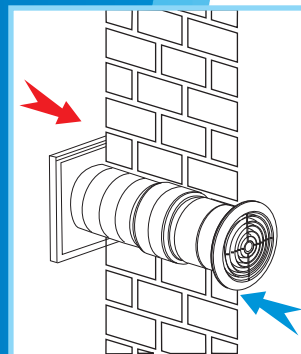
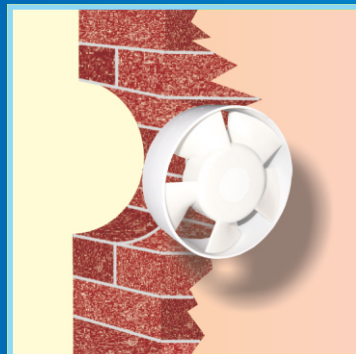
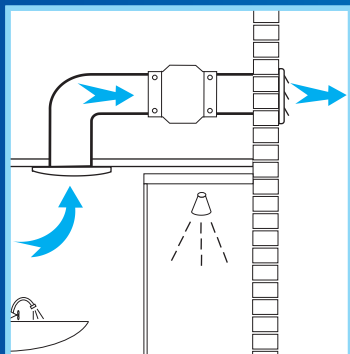
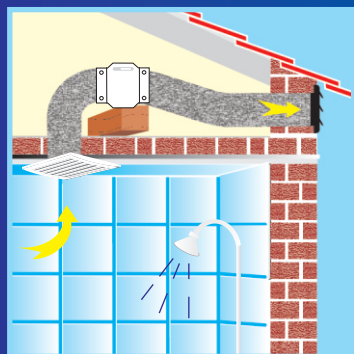
The VO 100, VOK 120, VOK 120/100, VO 135/120 and VOK 150/120 modifications are with an automatically closing back valve which is preventing the inflow of cold air and insects when the fan is switched off.

The fan is equipped with a built-in noiseless electrical motor with double capsulated ball bearings, which guarantee 30,000 hours flawless operation if mounted horizontally or vertically.

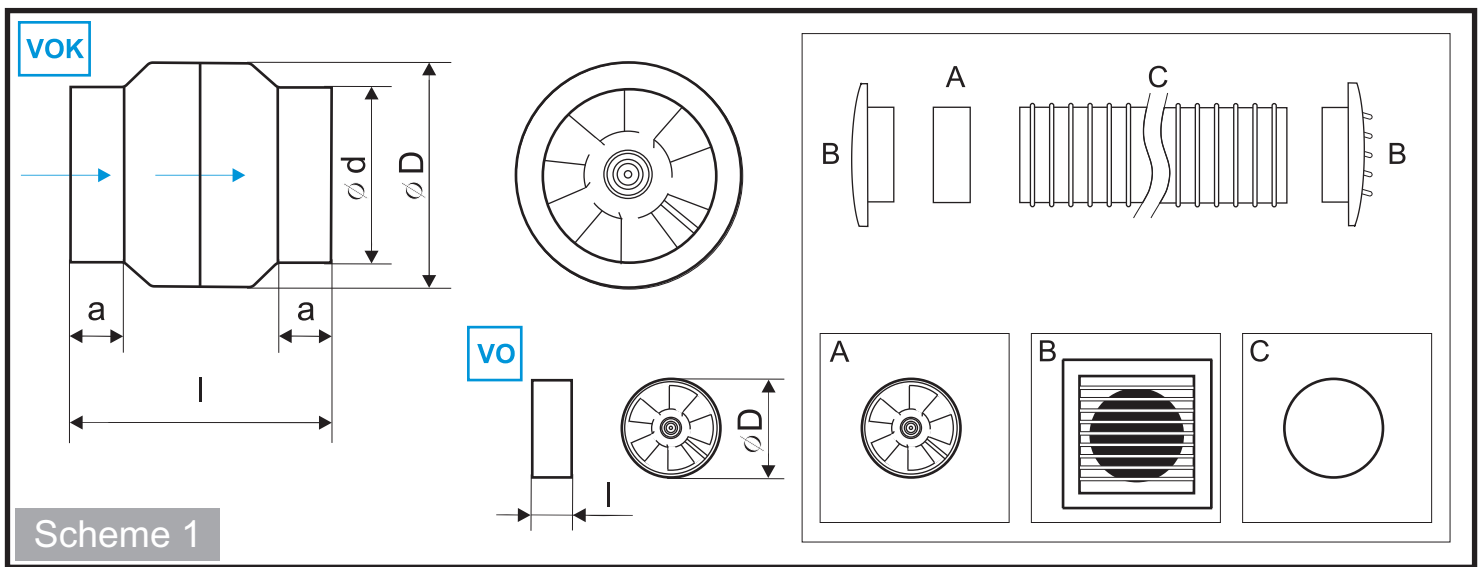
The body, the turbine, and the back valve are manufactured from aluminum alloy or specially selected plastics.

The body of the motor is manufactured from aluminum or a heat-resistant material which guarantees efficient cooling and higher fire safety.

The IP 32-degree protection allows the ventilator to function under conditions of high humidity and aggressive environment.



The in-line fans can be mounted in walls, ceilings, suspending ceilings, inside walls for ventilation with direct propelling of air into the atmosphere or into an air conduit. These devices can be used to exchange air between neighboring premises as heat exchangers.

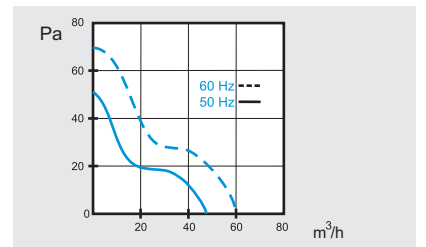


Scheme 1

The in-line axial fans described below can be manufactured with an "l" length, different from the one shown on Scheme 1. For the VO 90, VO 120, VO 135 and VO 150 modifications, the length indicated in the tables is the minimum length.

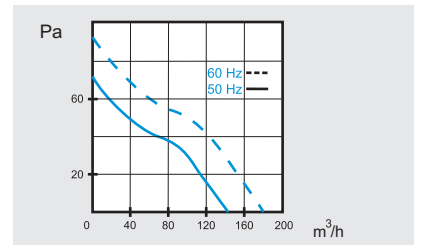
Type	a	l	∅d	∅D
VO 90	-	25	-	90
VO 100	-	70	-	100

Technical characteristic					
Hz / V	min ⁻¹	m ³ /h	Pa	W	IP
50 / 220	2500	50	55	16	32
50 / 115	2500	50	55	15	32
60 / 220	3000	60	60	14	32



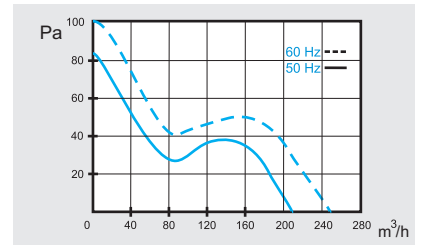
Type	a	l	∅d	∅D
VO 120	-	40	-	120
VOK 120/90	28	130	90	120
VOK 120/100	28	130	100	120
VOK 120/110	35	135	110	120

Technical characteristic					
Hz / V	min ⁻¹	m ³ /h	Pa	W	IP
50 / 220	2650	150	75	18	32
50 / 115	2650	150	75	17	32
60 / 220	3200	180	90	16	32



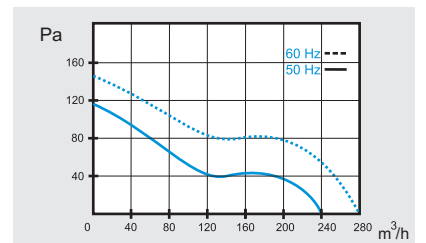
Type	a	l	∅d	∅D
VO 135	-	60	-	135
VOK 135/100	27	145	100	135
VOK 135/110	27	145	110	135
VOK 135/120	27	145	120	135

Technical characteristic					
Hz / V	min ⁻¹	m ³ /h	Pa	W	IP
50 / 220	2650	205	85	42	32
50 / 115	2650	205	85	42	32
60 / 220	3200	250	98	38	32



Type	a	l	∅d	∅D
VO 150	-	55	-	150
VOK 150/110	28	150	110	150
VOK 150/120	28	150	120	150
VOK 150/130	28	150	130	150

Technical characteristic					
Hz / V	min ⁻¹	m ³ /h	Pa	W	IP
50 / 220	2600	240	110	46	32
50 / 115	2600	240	110	45	32
60 / 220	3200	290	130	40	32



All fans can be manufactured with a 60 Hz frequency and the remaining characteristics can undergo minor changes.

Contacts

Factory
3 Malak Iskar Str., 2180 Etropole - Bulgaria
fax: (+ 359 720) 36 21

Sales:
mobile: (+ 359 89) 9919 959,
E-mail: laptop@mmotors-bg.com

web: www.mmotors.bg